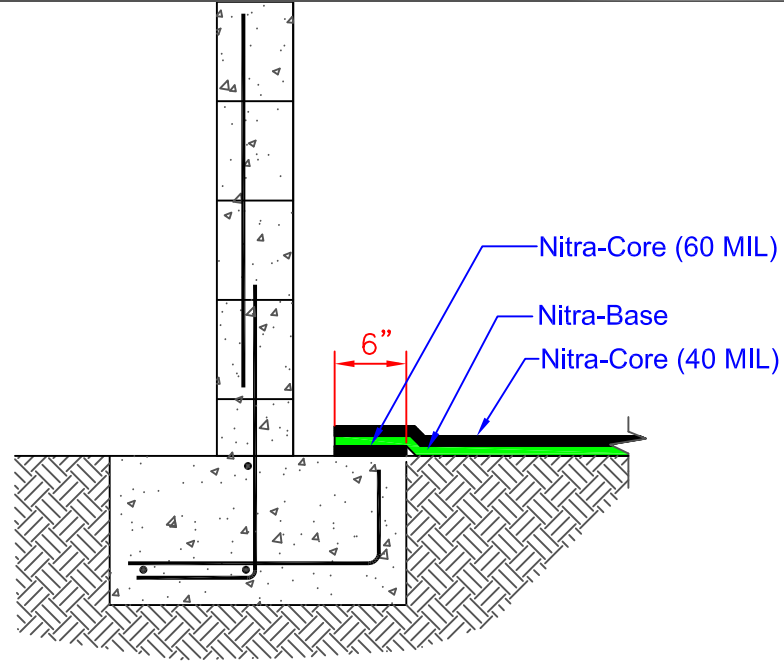
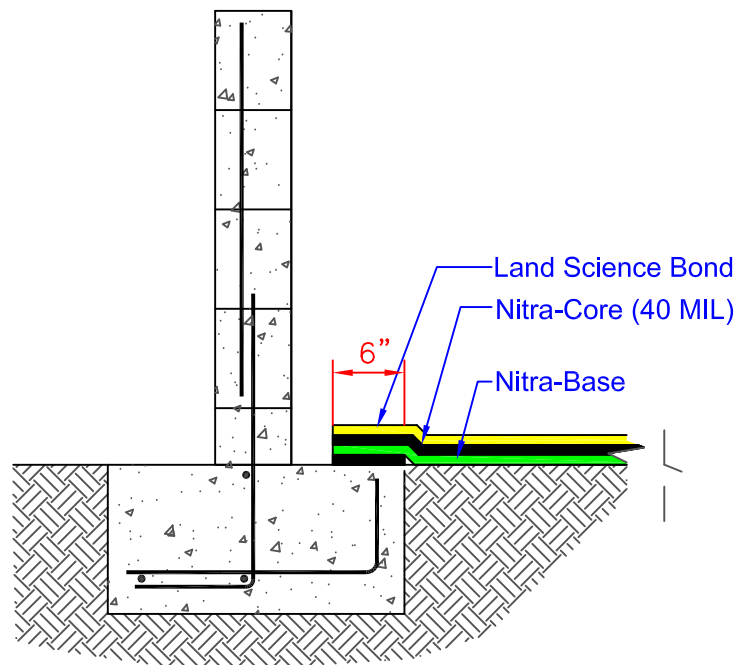


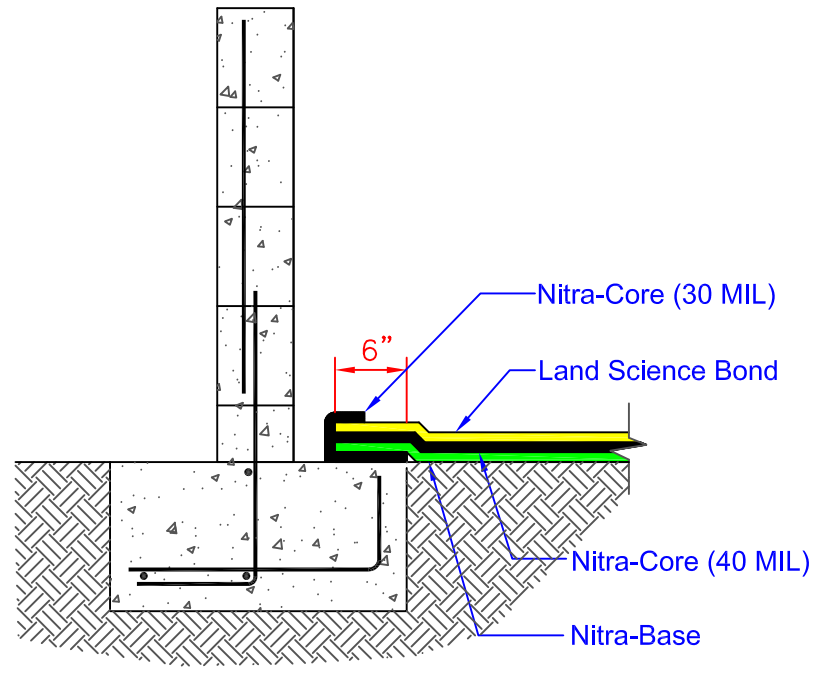
STEP 1



STEP 2



STEP 3



STEP 4

Land Science®
a division of REGENESIS®



DATE _____
SCALE _____
TITLE _____

**Nitra-Seal
Termination
Sequence**