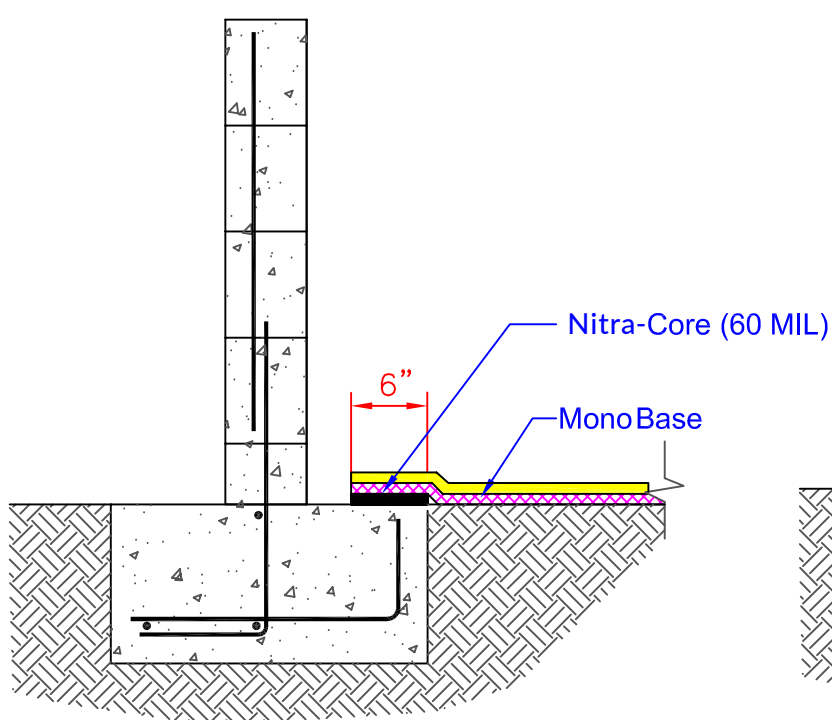
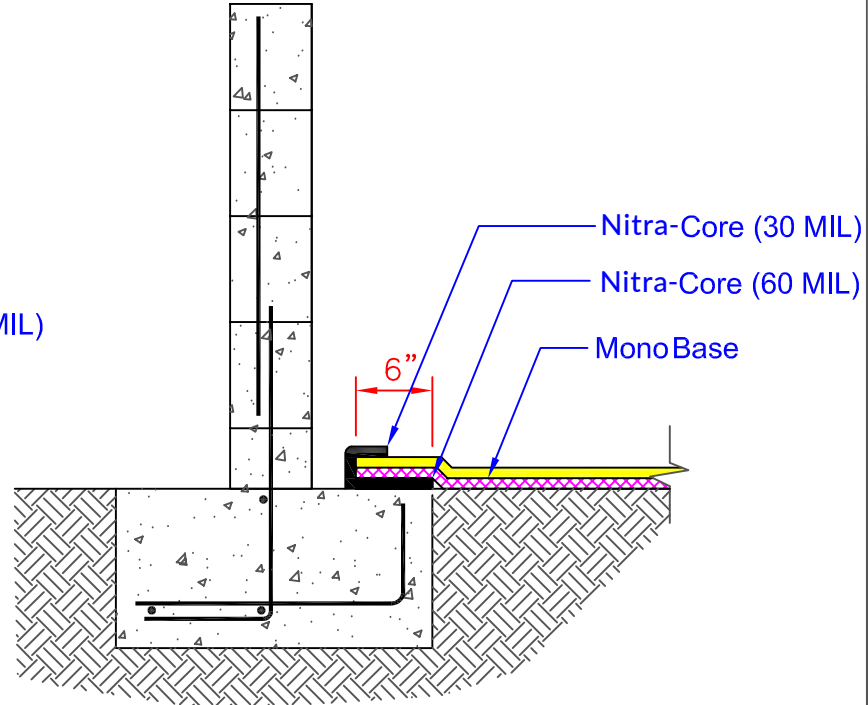




1011 CALLE SOMBRA  
SAN CLEMENTE, CA 92673  
949.366.8000 OFFICE  
WWW.LANDSCIENCE TECH.COM  
©2019 Land Science



STEP 1



STEP 2



DATE

SCALE

TITLE

**MonoShield  
Termination  
Sequence**